

# ALBERO DI CORREDO QUILL SHAFT

**CODICE**  
CODE

**093-004-00028**

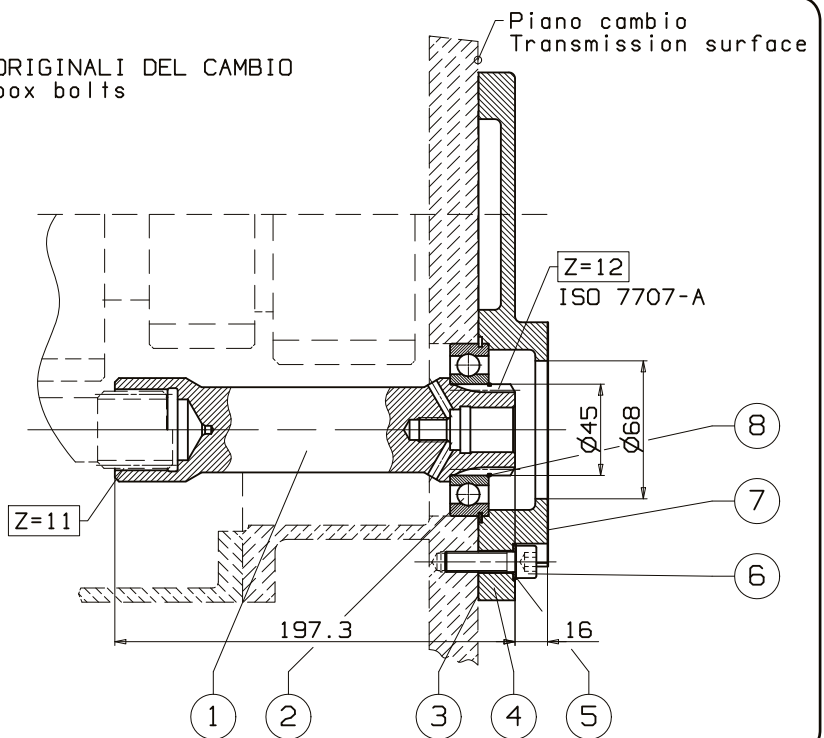
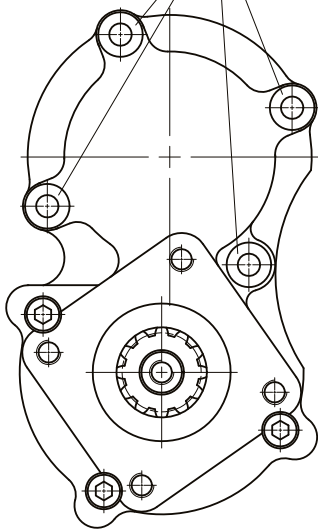
**"EATON TWINSPLITTER  
TS-TSO 11612 ...13612"**

**CAMBI**  
GEARBOXES

**EATON**



UTILIZZARE LE 4 VITI ORIGINALI DEL CAMBIO  
Use 4 x original gearbox bolts



N°	Codice Code	Descrizione Description	Q.
1	521-000-00578	Albero di corredo / Quill shaft	1
2	510-003-00489	Cuscinetto a sfere / Ball bearing 45x85x19	1
3	507-001-00424	Guarnizione twinsplitter posteriore / Rear twinsplitter gasket	1
4	528-007-00086	Flangia accoppiamento cambio-pto / Shift-PTO coupling flange	1
5	501-018-00105	Rosetta elastica convessa / Washer	3
6	502-004-00565	Vite TCE / TCE Screws M10x35 UNI 5931	3
7	507-001-00077	Guarnizione / Gasket	1
8	512-000-00068	Anello ferma cuscinetto / Bearing back-up ring	1

pag.5

**OMFB**  
HYDRAULIC COMPONENTS

O.M.F.B. S.p.A. Hydraulic Components  
We reserve the right to make any changes without notice.  
Edition 2007.12 No reproduction, however partial, is permitted.  
Via Cave, 7/9 25050 Provaglio d'Iseo (Brescia) Italy Tel.: +39.030.9830611  
Fax: +39.030.9839207-208 Internet:www.omfb.it e-mail:info@omfb.it

COMPANY WITH QUALITY MANAGEMENT  
SYSTEM CERTIFIED BY DNV  
= ISO 9001:2008 =