

# PRESA DI FORZA A COMANDO MECCANICO

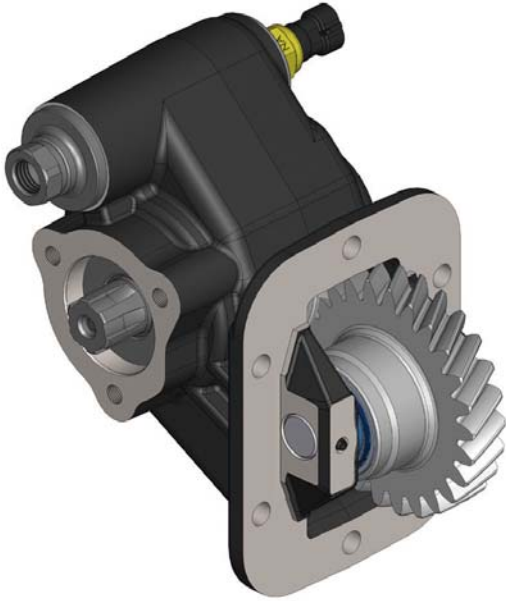
**CODICE PTO**  
PTO CODE

**1-74-134**

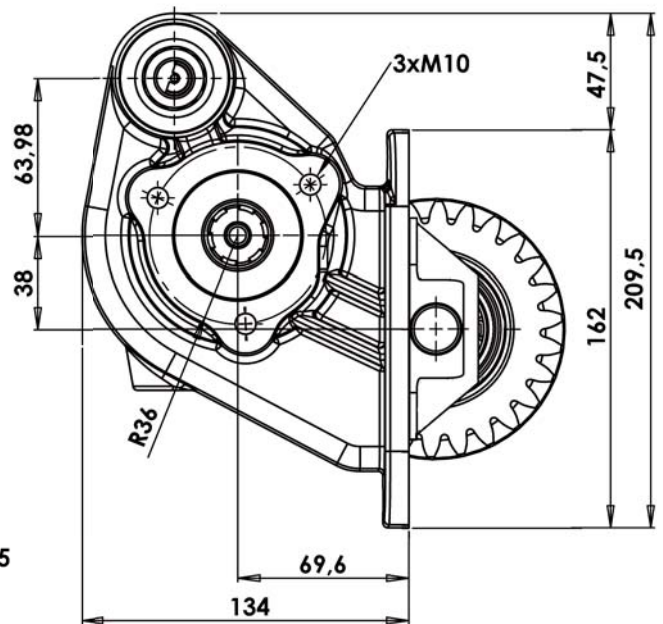
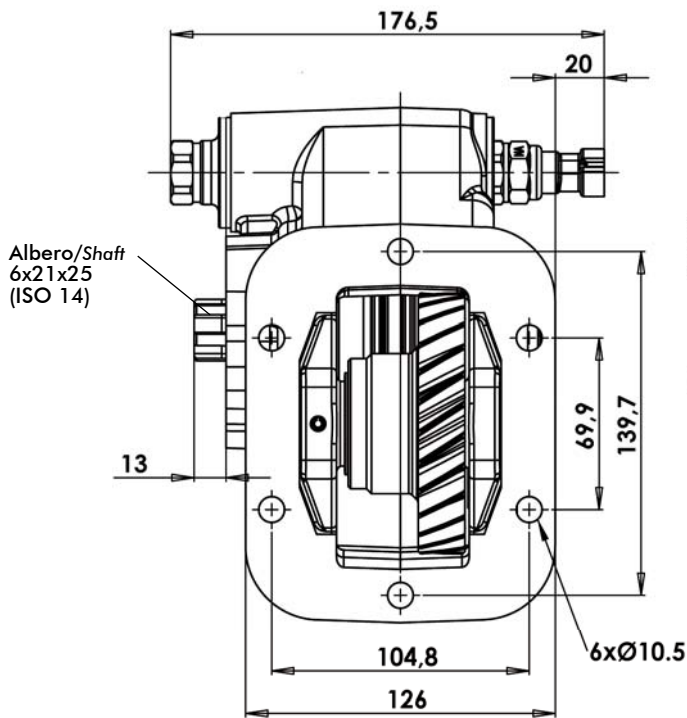
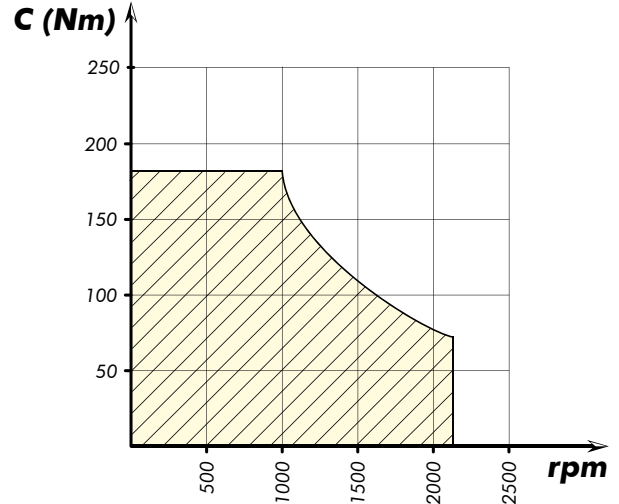
**MECHANICAL CLUTCH POWER TAKE-OFF**

**CAMBIO**  
GEARBOX

**IVECO**



## DIAGRAMMA DI UTILIZZO WORKING CONDITION



Tipo cambio Gearbox	Codice PTO PTO code	Versione Version	Giri pto a 1000 giri motore Pto ratio@1000 eng.rpm rpm	Coppia massima Max torque Nm	Lato montaggio Mounting side	Uscita Output	Rotazione Rotation	Kit di montaggio Mounting kit	Peso Weight Kg
<b>2835.6</b>	<b>1-74-134</b>	13	<b>855</b>	<b>180</b>	Sx Left	Poster. Rear	Orar. Cw	154-2-3394	9,5

pag.1

**OMFB**  
HYDRAULIC COMPONENTS

O.M.F.B. S.p.A. Hydraulic Components  
We reserve the right to make any changes without notice.  
Edition 2012.08 No reproduction, however partial, is permitted.  
Via Cave, 7/9 25050 Provaglio d'Isèo (Brescia) Italy Tel.: +39.030.9830611  
Fax: +39.030.9839207-208 Internet:www.omfb.it e-mail:info@omfb.it

COMPANY WITH  
QUALITY SYSTEM  
CERTIFIED BY DNV GL  
= ISO 9001 =